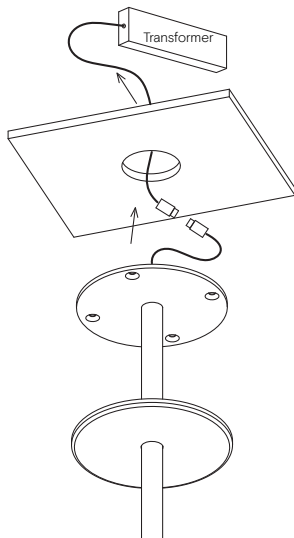




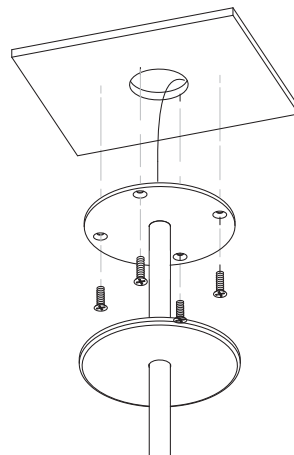
CORAL PENDANT INSTALLATION

Installation Instructions

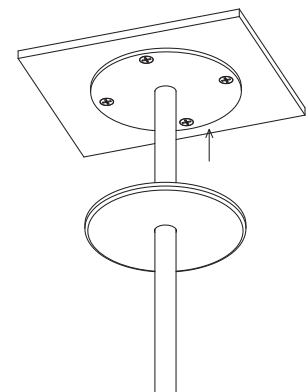


Prep the ceiling with an approx. 5-15mm hole. Place the transformer in the ceiling and feed the cable through the hole into the room. Connect the single electrified cable to the transformer.

*The transformer needs to be

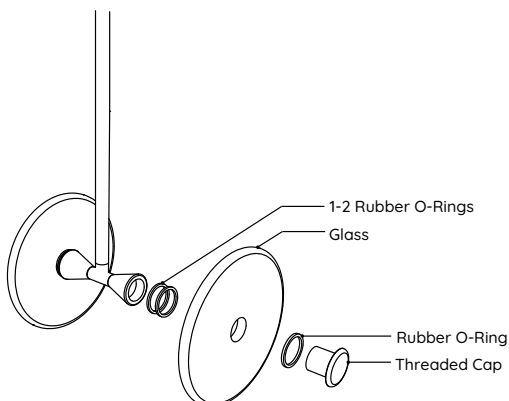


Screw the mounting plate to the ceiling using appropriate fasteners for the ceiling substrate.



Secure the magnetic cover plate onto the mounting plate.

Glass Installation



To install the glass piece, hold the glass against the LED housing and thread the 30mm threaded cap into the LED housing.

*Ensure the rubber o-rings are installed in the correct position, 1 behind the glass, and 1 in-front on the glass. If the glass is not held firmly when the threaded cap is fully screwed in, install an extra o-ring.