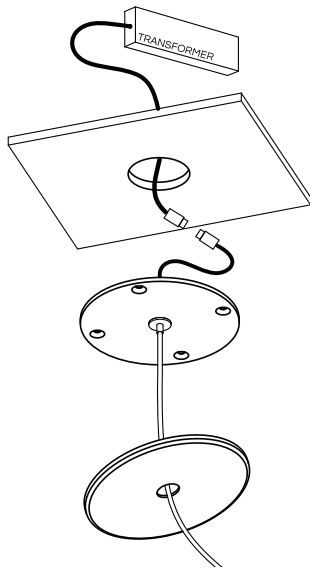




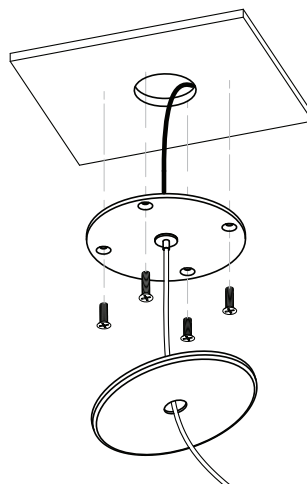
CORAL DUO DOME PENDANT INSTALLATION

Installation Instructions



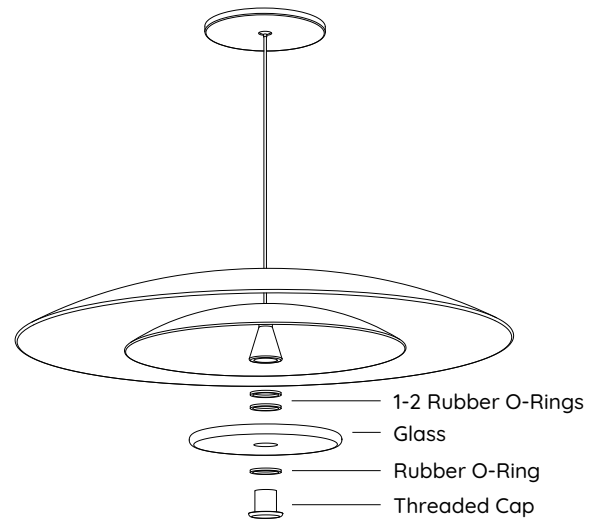
Prep the ceiling with an approx. 40-60mm hole. Connect the single electrified cable to the transformer and place it into the ceiling cavity.

*The transformer needs to be accessible for maintenance purposes.



Screw the mounting plate to the ceiling using appropriate fasteners for the ceiling substrate.

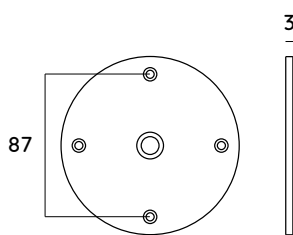
Secure the magnetic cover plate onto the mounting plate.



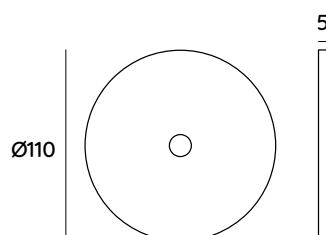
To install the glass piece, hold the glass against the LED housing and thread the 30mm threaded cap into the LED housing.

*Ensure the rubber o-rings are installed in the correct position, 1 behind the glass, and 1 in-front on the glass. If the glass is not held firmly when the threaded cap is fully screwed in, install an extra o-ring.

Ceiling Plate Dimensions



Mounting Plate



Magnetic Cover Plate