



OST PENDANT

Designed and Handmade by Oliver Höglund & Ryan Roberts

Bring a touch of modern minimalism into your space with the OST pendant light. Crafted in a hand-blown teardrop design, this light stands as a captivating focal point, perfect for solitary display or clustering over stairwells, dining tables, and kitchen islands. Effortlessly suspended by a steel cable, it connects through a sleek lampholder, available in finishes of brass finish, matte black, medium bronze, or steel finish. Tailor the atmosphere to your preference with a choice of warm, warm white, or white LED temperatures. Meticulously hand-blown using premium Swedish clear glass, each glass shade carries the distinctiveness of SOKTAS Glass designs, promising an unparalleled and personalised lighting masterpiece that adds both elegance and character to your space.

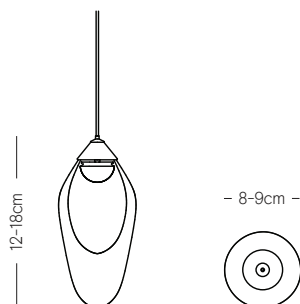
Hand-Blown in Currumbin, Australia.



TECHNICAL DATA

Application	Interior Use Only Low Voltage (under 12v)	Input Power	100-240VAC
Glass Colour	Clear	Output Power	4V DC Driver (350mA Constant Current) Supplied with Remote Driver
Lampholder Finish	Matte Black / Brass Finish / Steel Finish Matte White / Medium Bronze Powdercoat	LED Wattage	1W - 350mA (Standard) / 2W (additional cost) Lifespan - 60,000+ Hours CRI>90
Ceiling Mount	Matte Black / Matte White	Lumen Output	150lm (1W) (Standard) / 300lm (2W)
Dimensions	Height: 120-180mm Width: 80-90mm	Colour Temperature	2700K / 3000K (Standard) / 4000K
Cord	Steel / Black / White Cable 1500mm (Standard) Longer lengths on request	Dimming	Single-Use-1W LED Non-Dimmable (Standard) Optional: Single-use - 2W LED Triac Dimmable DALI Dimmable (additional cost) Please contact for alternative dimming options
Weight	0.6 - 0.8kg	Mounting	81mm Flat disc recessed ceiling plate Custom designed ceiling plate on request
Warranty	24 Months / 2 Years		
Certification	CE / AS/NZS - 60598.2.1		

DIMENSIONS



MOUNTING

Installation Instructions

