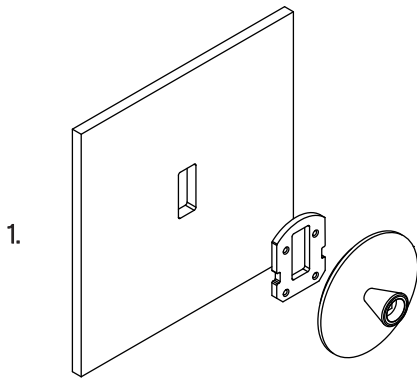




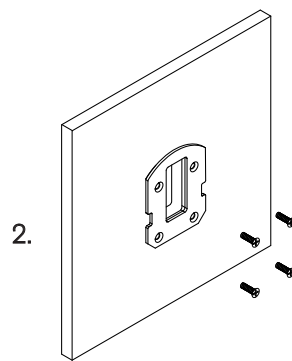
CORAL WALL LIGHT INSTALLATION

Installation Instructions



1. Unscrew the grub screw to separate the screw plate from the circular face plate.

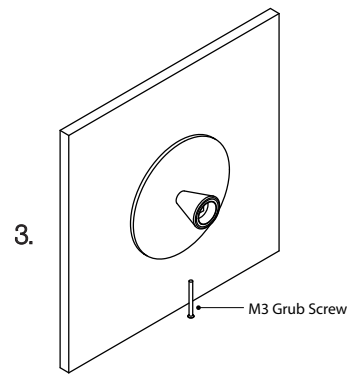
Prep the wall with a hole to match the cutout in the screw plate.
Cutout size: 46mm x 22mm



2. Install the screw plate to the wall using appropriate fasteners for the wall substrate.

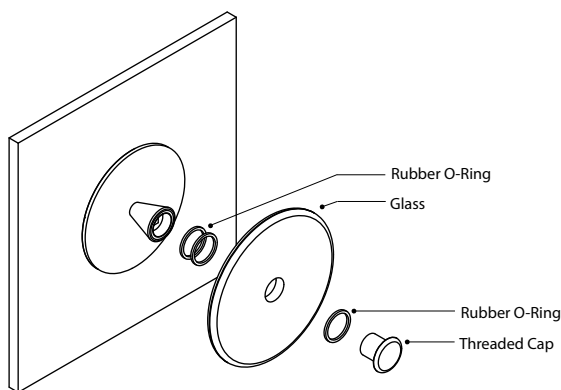
Secure the transformer into the wall cavity and feed the cable through the hole into the room. Connect the single electrified cable to the transformer.

*The transformer needs to be accessible for maintenance purposes.



3. Fit the circular wall plate over the mounting plate and secure with the supplied M3 grub screw at the bottom of the plate.

Glass Installation



To install the glass piece, hold the glass against the LED housing and thread the 30mm threaded cap into the LED housing.

*Ensure the rubber o-rings are installed in the correct position, 1 behind the glass, and 1 in-front on the glass. If the glass is not held firmly when the threaded cap is fully screwed in, install an extra o-ring.

Wall Plate Dimensions

