



# CORAL TRI ROD PENDANT LIGHT

Designed and Handmade by Oliver Höglund & Ryan Roberts

Embellish your walls with the Coral Tri Rod pendant light, available in both clear and frosted finishes. This statement piece adds a modern contemporary feature ideal for kitchens, bedrooms, bathrooms and entryways. Tailor it to your preferences by selecting a wall plate finish of natural brass, matte black, matte white, medium bronze or steel finish and set the mood of your space with a choice of warm, warm white, or white LED temperatures. Meticulously hand-blown using premium Swedish clear glass, each disc carries the distinctiveness of SOKTAS Glass designs, promising an unparalleled and personalised lighting masterpiece that adds both elegance and character to your space.

Hand Made in Currumbin, Australia.

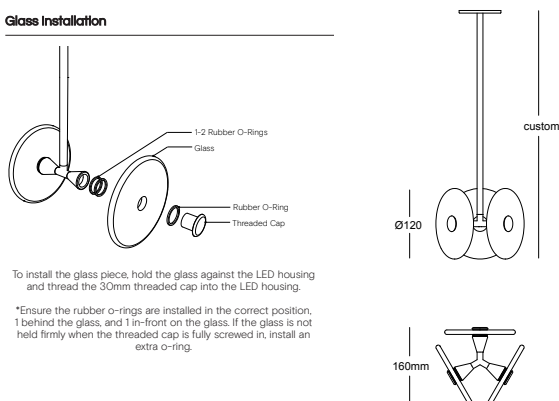


## TECHNICAL DATA

Application	Interior & Outdoor Use	Input Power	100-240V AC
Glass	Frosted / Clear	Output Power	7V DC Driver (350mA Constant Current) Supplied with Remote Driver
Rod Finish	Matte Black / Matte White / Natural Brass / Steel Finish / Medium Bronze Powdercoat	Dedicated LED	3 x 1W (Standard) / 3 x 2W (additional cost) Lifespan - 60,000+ Hours CRI>90
Glass Dimensions	3 x 120mm	Colour Temperature	2700K / 3000K (Standard) / 4000K
IP Rating	IP65	Dimming	TRIAC/Phase Dimmable (Standard) DALI (additional cost) Please contact for alternative dimming options
Warranty	24 Months / 2 Years		
Certification	CE / AS/NZS - 60598.2.1		

## DIMENSIONS

### Glass Installation

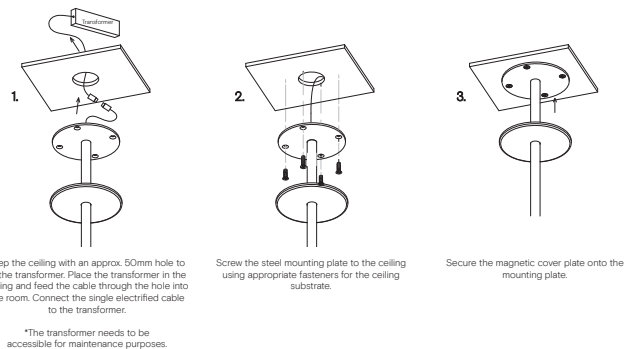


To install the glass piece, hold the glass against the LED housing and thread the 30mm threaded cap into the LED housing.

\*Ensure the rubber o-rings are installed in the correct position, 1 behind the glass, and 1 in-front on the glass. If the glass is not held firmly when the threaded cap is fully screwed in, install an extra o-ring.

## MOUNTING

### Installation Instructions



Prep the ceiling with an approx. 50mm hole to fit the transformer. Place the transformer in the ceiling and feed the cable through the hole into the room. Connect the single electrified cable to the transformer.

\*The transformer needs to be accessible for maintenance purposes.