



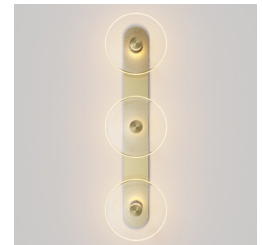
CORAL TRIO

WALL LIGHT

Designed and Handmade by Oliver Höglund & Ryan Roberts

Embellish your walls with the Coral Trio wall light and add a modern contemporary feature ideal for kitchens, bedrooms, bathrooms and entryways. This statement piece features three hand-blown glass discs available in both clear and frosted finishes. Tailor it to your preferences by selecting a wall plate finish of brass finish, matte black, matte white, medium bronze or steel finish and set the mood of your space with a choice of warm, warm white, or white LED temperatures. Meticulously hand-blown using premium Swedish clear glass, each disc carries the distinctiveness of SOKTAS Glass designs, promising an unparalleled and personalised lighting masterpiece that adds both elegance and character to your space.

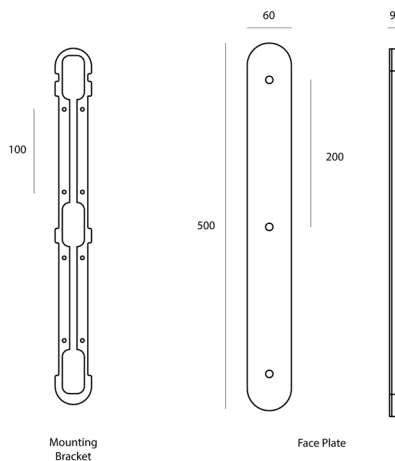
Hand Made in Currumbin, Australia.



TECHNICAL DATA

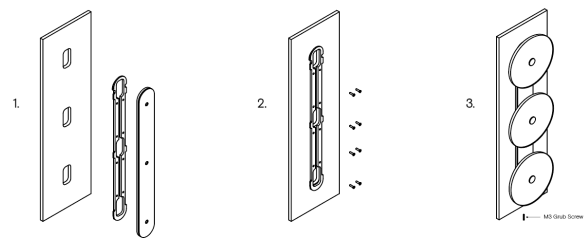
Application	Interior Use (Optional: Outdoor Use) Low Voltage (under 12v)	Input Power	100-240V AC
Glass	Frosted / Clear	Output Power	4V DC Driver (350mA Constant Current) Supplied with Remote Driver
Cover Cap Finish	Matte Black / Matte White / Brass Finish / Steel Finish / Medium Bronze Powdercoat	Dedicated LED	3 x 1W - (Standard) / 3 x 2W (additional cost) Lifespan - 60,000+ Hours CRI>90
Wall Mount Finish	Matte Black / Matte White / Brass Finish / Steel Finish / Medium Bronze Powdercoat	Colour Temperature	2700K / 3000K (Standard) / 4000K
Glass Dimensions	170mm Wall Mount: 500 x 60mm Protrudes: 50mm	Dimming	TRIAC/Phase Dimmable (Standard) DALI (additional cost) Please contact for alternative dimming options
IP Rating	IP20 Indoor	Mounting	Integral Wall Bracket
Warranty	24 Months / 2 Years	Certification	CE / AS/NZS - 60598.2.1

DIMENSIONS



MOUNTING

Installation Instructions



1. Prep the wall with 3 holes to match the wall plate cutouts. Secure the transformer into the wall cavity and feed the cable through the hole into the room. Connect the single electrified cable to the transformer.

*The transformer needs to be accessible for maintenance purposes.

2. Screw the mounting plate to the wall using appropriate fasteners for the wall substrate.

3. Fit the face plate (with attached lights) over the mounting plate and secure with the supplied M3 grub screw at the bottom of the plate.