



CORAL

SINGLE ROD PENDANT

Designed and Handmade by Oliver Höglund & Ryan Roberts

Elevate your space with the Coral Single pendant light, a captivating modern centrepiece perfect for entryways, bathrooms, and kitchen islands. One exquisite glass-blown disc is elegantly suspended from a rod, available in a selection of finishes including natural brass, steel finish, matte black, matte white, or medium bronze powder coating. Available in fixed or adjustable ceiling installation, opt for frosted or clear glass to match your style and set the mood with a choice of warm, warm white, or white LED temperatures. Meticulously hand-blown using premium Swedish clear glass, each disc carries the distinctiveness of SOKTAS Glass designs, promising an unparalleled and personalised lighting masterpiece that adds both elegance and character to your space.

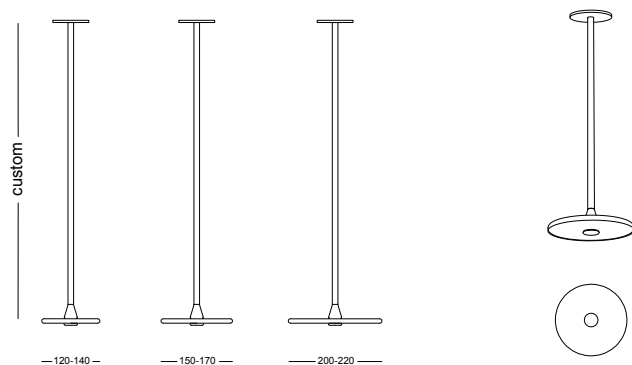
Hand Made in Currumbin, Australia.



TECHNICAL DATA

Application	Interior Use Only	Input Power	100 - 240VAC
Glass Colour	Frosted / Clear	Output Voltage	4V DC Driver (350mA Constant Current) Supplied with Remote Driver
Suspension Rod	Natural Brass / Matte Black / Matte White / Steel Finish / Medium Bronze Powdercoated	Dedicated LED	2W - 350mA (Standard) Lifespan - 60,000+ Hours CRI>90
Glass Diameter	Small: 120 - 140mm Medium: 150 - 170mm Large: 200 - 220mm	Colour Temperature	2700K / 3000K (Standard) / 4000K
Rod Length	1200mm (custom lengths available)	Dimming	Single-Use-1W LED Non-Dimmable (Standard) Optional: Single-use - 2W LED Triac Dimmable DALI Dimmable (additional cost) Please contact for alternative dimming options
		Warranty	24 Months / 2 Years
		Certification	CE / AS/NZS - 60598.2.1

DIMENSIONS



MOUNTING

Installation Instructions

