



CORAL DUO DOME PENDANT

Designed and Handmade by Oliver Höglund & Ryan Roberts

Add a touch of sophistication to your space with the Coral Duo Dome pendant light. Its distinctive layered dome design transforms this pendant light into a modern art piece exquisitely tailored to elevate dining spaces, bedrooms, and refined office spaces. Featuring a hand-blown glass shade and two steel domes available in matte black, matte white or medium brown finishes, this pendant will set the mood of your choice of warm, warm white, or white LED temperatures. Meticulously hand-blown using premium Swedish clear glass, each disc carries the distinctiveness of SOKTAS Glass designs, promising an unparalleled and personalised lighting masterpiece that adds both elegance and character to your space.

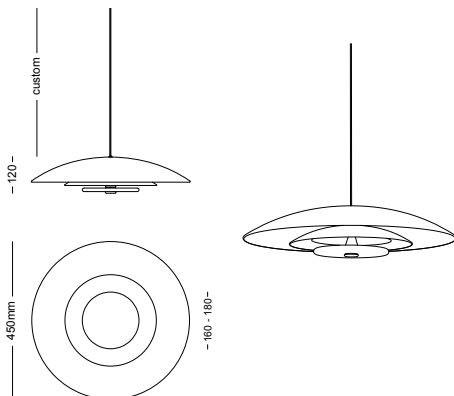
Hand Made in Currumbin, Australia.



TECHNICAL DATA

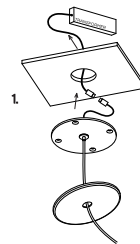
Application	Interior Use Only Low Voltage (under 12v)	Input Power	100 - 240V AC
Glass Colour	Frosted / Clear	Output Voltage	4V DC Driver (350mA Constant Current) Supplied with Remote Driver
Steel Dome Finish	Matte White / Matte Black / Medium Bronze	Dedicated LED	2W - 350mA (Standard) Lifespan - 60,000+ Hours CRI>90
Ceiling Mount	Matte White / Matte Black	Colour Temperature	2700K / 3000K (Standard) / 4000K
Glass Dimensions	160 - 180mm (approx.)	Dimming	2W LED - Triac-Dimmable (Standard) DALI (additional cost) Please contact for other dimming options
Dome Dimensions	450mm external / 260mm internal	Mounting	110mm Flat disc recessed ceiling plate Custom designed ceiling plate on request
Suspension	1500mm White Cable / Steel Cable / Black Cable Longer lengths on request		
Weight	1.5kg		
Warranty	24 Months / 2 Years		
Certification	CE / AS/NZS - 60598.2.1		

DIMENSIONS

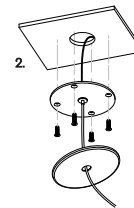


MOUNTING

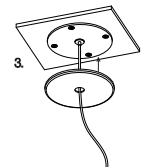
Installation Instructions



Prep the ceiling with an approx. 50mm hole to fit the transformer. Place the transformer in the ceiling and feed the cable through the hole into the room. Connect the single electrified cable to the transformer.



Screw the steel mounting plate to the ceiling using appropriate fasteners for the ceiling substrate.



Secure the magnetic cover plate onto the mounting plate.

*Push up the metal cable gripper on the mounting plate to adjust the cable length.