



CORAL DOME PENDANT

Designed and Handmade by Oliver Höglund & Ryan Roberts

Infuse a touch of elegance into your surroundings with the Coral Dome pendant light. The unique dome configuration metamorphoses this pendant into a contemporary masterpiece, meticulously designed to enrich dining areas, bedrooms, and upscale office settings. Featuring a hand-blown glass shade and a steel dome in options of matte black, matte white, or medium brown finishes, this pendant provides the perfect ambience through your preference of warm, warm white, or white LED temperatures. Meticulously hand-blown using premium Swedish clear glass, each disc carries the distinctiveness of SOKTAS Glass designs, promising an unparalleled and personalised lighting masterpiece that adds both elegance and character to your space.

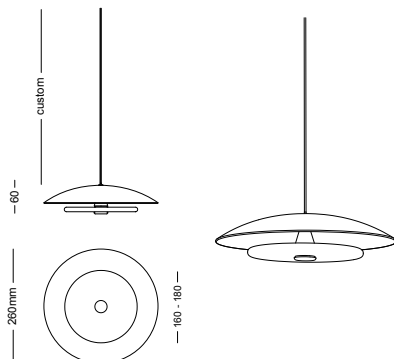
Hand Made in Currumbin, Australia.



TECHNICAL DATA

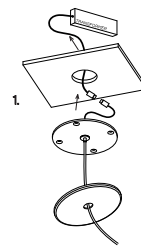
Application	Interior Use Only Low Voltage (under 12v)	Input Power	100 - 240V AC
Glass Colour	Frosted / Clear	Output Voltage	4V DC Driver (350mA Constant Current) Supplied with Remote Driver
Steel Dome Finish	Matte White / Matte Black / Medium Bronze	Dedicated LED	2W - 350mA (Standard) Lifespan - 60,000+ Hours CRI>90
Ceiling Mount	Matte White / Matte Black	Colour Temperature	2700K / 3000K (Standard) / 4000K
Glass Dimensions	160 - 180mm (approx.)	Dimming	2W LED - Triac-Dimmable (Standard) DALI (additional cost) Please contact for other dimming options
Dome Dimensions	260mm width	Mounting	110mm Flat disc recessed ceiling plate Custom designed ceiling plate on request
Suspension	1500mm White Cable / Black Cable Longer lengths on request		
Weight	0.5kg		
Warranty	24 Months / 2 Years		
Certification	CE / AS/NZS - 60598.2.1		

DIMENSIONS

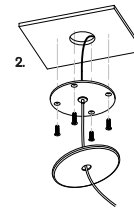


MOUNTING

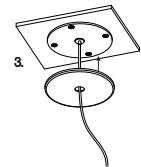
Installation Instructions



1. Prep the ceiling with an approx. 50mm hole to fit the transformer. Place the transformer in the ceiling and feed the cable through the hole into the room. Connect the single-electrified cable to the transformer.



2. Screw the steel mounting plate to the ceiling using appropriate fasteners for the ceiling substrate.



3. Secure the magnetic cover plate onto the mounting plate.

*Push up the metal cable gripper on the mounting plate to adjust the cable length.