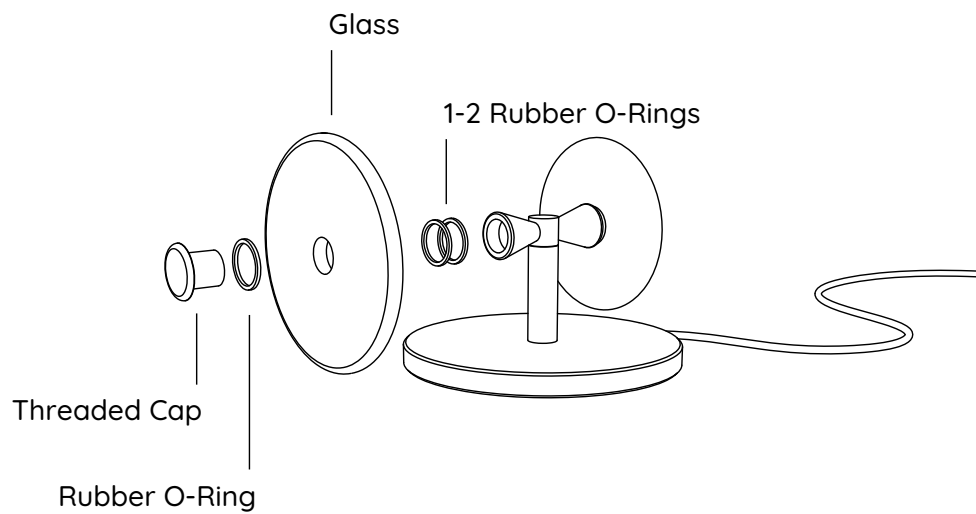




CORAL TABLE LAMP INSTALLATION

Installation Instructions



To install the two glass pieces, hold the glass against the LED housing and thread the 30mm threaded cap into the LED housing.

*Ensure the rubber o-rings are installed in the correct position, 1 behind the glass, and 1 in-front on the glass. If the glass is not held firmly when the threaded cap is fully screwed in, install an extra o-ring.

Plug in the plug pack into a standard 240V DC socket.

Control the on and off function with the in-line switch.